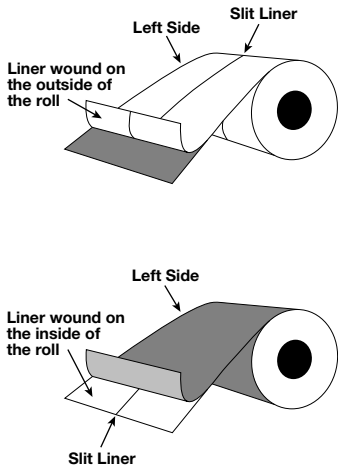
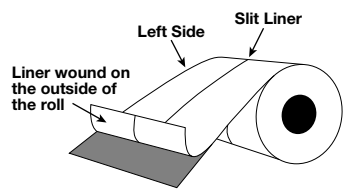
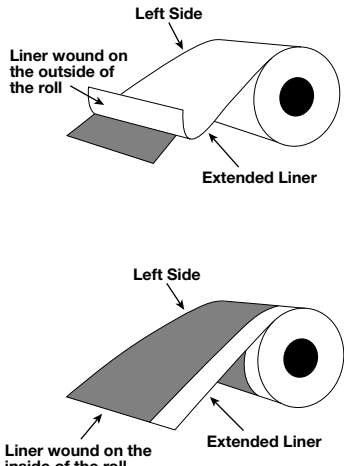
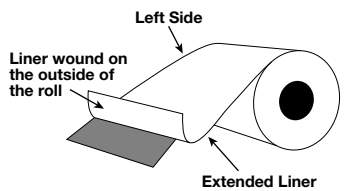


Custom Options — Technical Reference & Guide

As a value added service to our customers, 3M Medical Specialties provides custom converting on our tape products to meet customer needs. One service is converting the tape into widths and lengths specific to our customer's requirements. We also can provide slit liner (SL) and/or extended liner (EL) on many of our tape products.

Slit Liner and Extended Liner Capabilities

Slit Liners (SL) — Liner is “scored” (not cut through totally) or “slit” through to (but not through) the tape.		
<ul style="list-style-type: none"> Available on all products on a release liner except: <ul style="list-style-type: none"> Transfer Adhesives #1504, #1524 and #1524A Polyurethane Tapes & Film #9832F, #9833, #9834 and #9836. Tolerance is +/- 1/16" (+/- 1.5mm) Standard maximum slit roll width is 24" (61cm) and minimum slit width is 0.5" (1.27cm) Slit (or Score) must be a minimum of 1/8" (3mm) from the roll edge Orders must include total number and location(s) of slit(s) and distance from the left edge 	<p style="text-align: center;">Single-coated Tapes</p> 	<p style="text-align: center;">Double-coated Tapes</p> 

Extended Liners (EL) — Liner extends past the edge or edges of the adhesive.		
<ul style="list-style-type: none"> Available on all products with a release liner except: <ul style="list-style-type: none"> any foam tape Transfer Adhesives #1524 and #1524A Hydrogel Adhesive #9880 All other products have an EL minimum width of 1/8" (3mm) and tolerance is +/- 1/16" (+/- 1.5mm) Standard maximum roll width is 24" (61cm) and minimum slit width is 0.5" (1.27cm) 	<p style="text-align: center;">Single-coated Tapes</p> 	<p style="text-align: center;">Double-coated Tapes</p> 

NOTE: Please be aware that there may be some restrictions on maximum roll length of any product slit less than 1" (25.4mm) wide due to roll stability during handling.