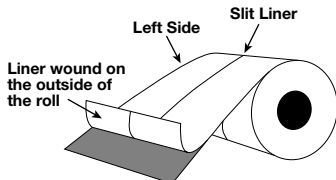
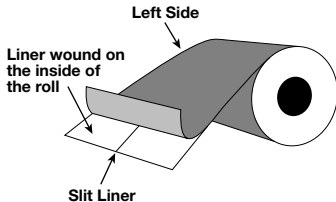
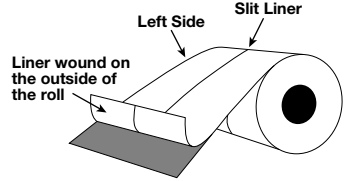
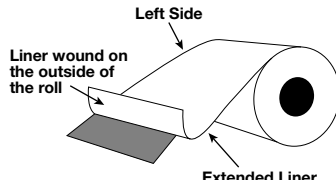
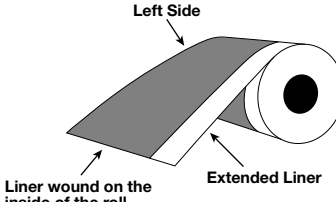
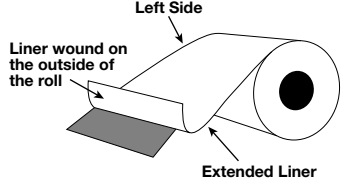


Custom Options — Technical Reference & Guide

As a value added service to our customers, 3M Medical Specialties provides custom converting on our tape products to meet customer needs. One service is converting the tape into widths and lengths specific to our customer's requirements. We also can provide slit liner (SL) and/or extended liner (EL) on many of our tape products.

Slit Liner and Extended Liner Capabilities

Slit Liners (SL) — Liner is “scored” (not cut through totally) or “slit” through to (but not through) the tape.		
<ul style="list-style-type: none"> • Available on all products on a release liner except: <ul style="list-style-type: none"> – Transfer Adhesives #1504, #1524 and #1524A – Polyurethane Tapes & Film #9832F, #9833, #9834 and #9836. • Tolerance is +/- 1/16" (+/- 1.5mm) • Standard maximum slit roll width is 24" (61cm) and minimum slit width is 0.5" (1.27cm) • Slit (or Score) must be a minimum of 1/8" (3mm) from the roll edge • Orders must include total number and location(s) of slit(s) and distance from the left edge 	Single-coated Tapes	Double-coated Tapes
	 <p>Liner wound on the outside of the roll</p> <p>Left Side</p> <p>Slit Liner</p>  <p>Left Side</p> <p>Liner wound on the inside of the roll</p> <p>Slit Liner</p>	 <p>Left Side</p> <p>Slit Liner</p> <p>Liner wound on the outside of the roll</p>

Extended Liners (EL) — Liner extends past the edge or edges of the adhesive.		
<ul style="list-style-type: none"> • Available on all products with a release liner except: <ul style="list-style-type: none"> – any foam tape – Transfer Adhesives #1524 and #1524A – Hydrogel Adhesive #9880 • All other products have an EL minimum width of 1/8" (3mm) and tolerance is +/- 1/16" (+/- 1.5mm) • Standard maximum roll width is 24" (61cm) and minimum slit width is 0.5" (1.27cm) 	Single-coated Tapes	Double-coated Tapes
	 <p>Left Side</p> <p>Liner wound on the outside of the roll</p> <p>Extended Liner</p>  <p>Left Side</p> <p>Liner wound on the inside of the roll</p> <p>Extended Liner</p>	 <p>Left Side</p> <p>Liner wound on the outside of the roll</p> <p>Extended Liner</p>

NOTE: Please be aware that there may be some restrictions on maximum roll length of any product slit less than 1" (25.4mm) wide due to roll stability during handling.